

Voter Roll Cleanup

Practical Methodology for Precinct Committeemen (PC)s

Voter Fraud is Real. See: heritage.org/voterfraud

Our ultimate goal is to make it easy to vote, but hard to cheat. Dirty voter rolls along with a large volume of Vote-By-Mail (VBM) ballots makes Voter Fraud very hard to catch. As a PC, you are Illinois' frontline warriors in the fight for free, fair and honest elections. Please help identify registered voters in your precinct who should no longer be on the active voter roll.

Background

APRIL 11, 2017 JUDICIAL WATCH press releases listed counties in 11 states, in which the number of registered voters exceeded the number of voting-age citizens, as calculated by the U.S. Census Bureau's 2011-2015 American Community Survey. The counties listed for Illinois were: Alexander, Bureau, Cass, Clark, Crawford, DuPage, Franklin, Grundy, Hardin, Henderson, Jefferson, Jersey, Massac, McHenry, Mercer, Monroe, Pulaski, Rock Island, Sangamon, Scott, Union, Wabash, Washington, and White.

Our voter registration lists are the foundation of everything we do for election integrity. Ensuring the accuracy of these lists for all Illinois counties is of the utmost importance.

How to Identify Voters who should be Removed in your Precinct

Things to look for within your own neighborhood (precinct) – on-going – Keep a log

- Note when a house sells. Stop and introduce yourself.
- If you hear that someone has died, find the obituary, note the date. Keep a copy.
- You can turn these in when you find out about them. Minimally you should turn in a list 4 months prior to each election.

When you get a list of registered voters, check the list.

- Have the names you already identified been removed? – if not, turn them in again.
- Check for people who are over 100 years old. Check to see if they are still living. People who died years ago and whose death was missed at the time, may never be noticed by the election authority.
- Scan through the list for homes with 2 last names. Compare to a previous precinct list. This can be legitimate (roommate, or family member with a different last name...) If the old list has members of the same family, and the new lists has some of those old ones and a new family listed as well, especially if the new family started voting, the year after the old family stopped voting... odds are the house changed hands. *Zillow.com* can tell you when a house sold. We highly recommend that you knock and ask.
- Consider asking at homes that have grown children listed who have not voted in years. They could still consider it their primary residence (in military, at college, etc.) But, as often as not they are living elsewhere and voting where they live. The only way to know is to ask.

Do your best to accurately identify who/when people moved or passed away. The election authority has procedures to verify it prior to actually removing voters from the list.

Sample from my PC list (I removed some data for privacy)

after 2020 primary

050079 Precinct Committeeperson		Milton 079		Sesame St		Wheaton - 60189		Party	2020 Prim	2019 Cons	2018 Gen	2018 Prim	2017 Cons	2017 Cons P	2016 Gen	2016 Prim	2015 Cons	2014 Gen
2261	Jill Bro							D	D	X	D				X	D	X	
	Steven Bro							DOE										
	* Sarah Chu							DOE										
	* Kay Lud							DOE										

2018 pc list

County 079		Wheaton - 60189		Party	2017 Cons	2017 Cons P	2016 Gen	2016 Prim	2015 Cons	2014 Gen	2014 Prim	2013 Cons	2013 Cons	2012 Gen
2261	Christopher R Chu	DOB: /1966	DOR: 09/25/1997	R	X		X	R		X		X		X
	Jill M Chu	DOB: /1968	DOR: 01/02/1999	R			X			X				X
	Sarah Chu	DOB: /1995	DOR: 12/27/2017	NA										
	Kay Lud	DOB: /1991	DOR: 06/08/2012	NA										

I know that the Chu family sold to the Bro's in Sept 2018.

I know that Kay Chu was married, changed her last name, moved and passed away on X/XX/2019

I found the obituary on line.

Sarah Chu also moved out prior to her parents and needs to be removed from the voter list.

Even if you don't have all the details, turn in the name/address to be removed. Including the date, even if approximate can help the election authority verify the information.

Someone in your party organization – a point person – should check with your local election authority – What is the best way to turn in the information?

- A paper form to fill out and mail/take in or
- E-mail to whom (I included name, address, reason, date, and a link if I found an on-line obituary)

Be sure to keep a copy for yourself. Your party organization should also keep a copy.

This list can be compared to the list of VBM applications to help spot voting anomalies.

Incident Reports:

- If you notice anomalies such as someone voted after moving out, or after passing away, gather all the data you have that makes you believe that. It will need to be given to the authorities so that they can investigate potential voter fraud.
- If names that have been previously turned in to remove are still on the active voter registration list especially if this is a pattern across multiple precincts, that would indicate a violation of the NVRA (federal law requiring a reasonable effort to maintain the voter registration list).

DuPage County has the following form on line for submitting changes. Use it as a sample for the type of data to provide.

REPORT TO THE DU PAGE COUNTY CLERK ELECTION DIVISION BY PRECINCT COMMITTEEMEN

TO: DuPage County Clerk Election Division
P.O. Box 1087
Wheaton, IL 60187-1087

I, the undersigned, precinct committeeman in the Township of _____ Precinct _____ in said County, hereby wish to report the names of certain registered voters, whom I believe have moved, died or whose records require correction due to typographical error.

MOVED

Name	Approximate Date of Move – Month and Year

DECEASED

Name	Approximate Date of Death – Month and Year

NAME CHANGE / TYPOGRAPHICAL CORRECTION REQUIRED

Name	New Name or Correction Required

I hereby certify, to the best of my knowledge, the above information is true and correct.

PRECINCT COMMITTEEMAN: _____
(Committeeman's Signature)

Dated: _____, 20__

Names submitted on this form will be processed in accordance to the Nation Voter Registration Act (NVRA)

Revised May 2019

Political Party Organization

Each party organization (County, Township or City) should have a person or small team to assist their precinct Committeemen and oversee voter roll cleanup efforts. This team should request excel copies of the county voter list with voting history at least three times per election cycle

1. Prior to petitions for ballot access being circulated.
2. Prior to when early voting begins.
3. After election results are finalized.

So those lists can be compared and checked against the voter cleanup list from the PCs and the VBM / Early-voting Daily log files.

Organization name: _____

Organization contact:

- Name: _____
- Email: _____
- Phone: _____

On a per PC bases, keep track of the date the Precinct Committeeman received his/her registered voter list and Date(s) the list of identified changes is turned in to the election authority.

- *Note: **Three months prior to an election** is the Last day for election authorities to complete any systematic program to remove ineligible voters from the voting roles for that General Election.*
- Changes such as removal of names at the request of the registrant, removal due to death of the registrant, removal due to criminal conviction or mental incapacity of the registrant, or the correction of a registrant's information can still be done after this date on an individual basis.

Election authority Contact information:

- Name: _____
- phone: _____
- Email : _____
- USPS mail address: _____

How should changes be submitted? USPS or email? Any requested Form or format?

Election Authority procedures for voter list maintenance:

The Election Authorities processes are controlled by the Federal & State Laws

- The National Voter Registration Act (NVRA) of 1993 [justice.gov/crt/national-voter-registration-act-1993-nvra](https://www.justice.gov/crt/national-voter-registration-act-1993-nvra)
- The Help America Vote Act (HAVA) of 2002 [eac.gov/about_the_eac/help_america_vote_act.aspx](https://www.eac.gov/about_the_eac/help_america_vote_act.aspx) and
- Illinois State Law. [ilga.gov/](https://www.ilga.gov/) (10 ILCS 5/) Election Code – Articles 4, 5, and 6

They cannot remove someone from the active Registered Voter list simple because someone has not voted. They have a process (mail a postcard, mark “inactive” & wait 2 federal election, before marking as “canceled) and sources for official data.

See the next page for the list maintenance process flow, and the following page for the list of data sources they use.

VOTER REGISTRATION LIST MAINTENANCE OPTIONS UNDER THE NVRA

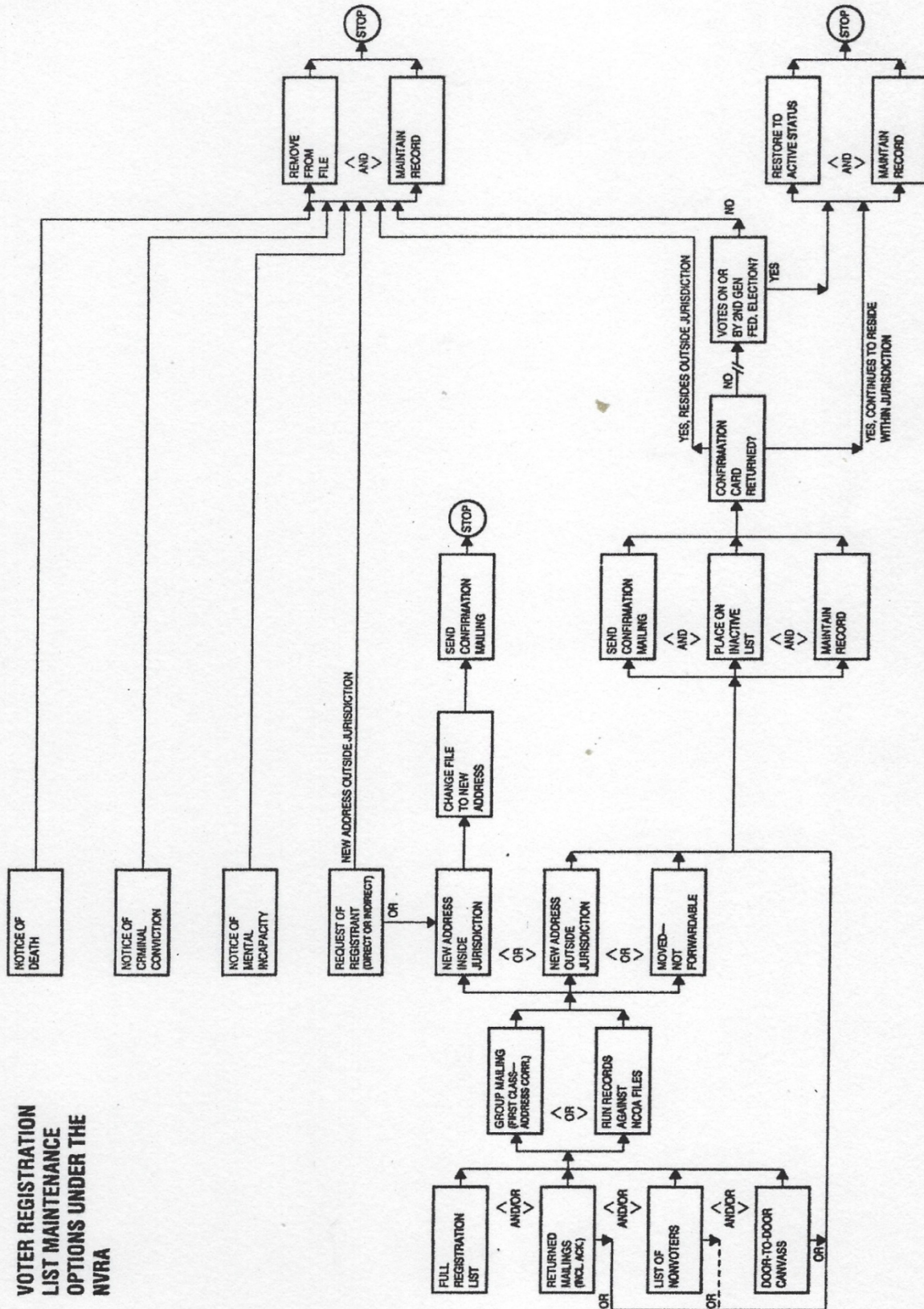


Table 1 VARIOUS SOURCES OF DATA

	Non-Citizens	Felony or Conviction	Death	Underage	Mental Incompetence	Moved Out
Bureau of Vital Statistics			x			
Department of Health			x			
Division of Human Resources			x			
Reports from Funeral Homes			x			
Obituaries			x			
Social Security (DMF)			x			
ERIC	x	x	x	x	x	x
Recorder of Deeds (Property Lists)			x			x
Ballot Petitions						x
Jury Duty Notices	x					x
Utility Companies						x
City Records						x
Post Office						x
NCOA			x			x
Driver's License	x		x			x
Death and Marriage Records			x			x
US Attorney		x				
Clerk of the Court		x			x	
SAVE	x					
Statewide Centralized Database	x	x	x	x	x	x

Above is the list of data sources used by the Election Authorities to verify voter status when doing Registered Voter List Maintenance; acronym definitions are below

- ERIC - Electronic Registration Information Center, an organization that does multi-state cross checks of voter data.
- NCOA – National Change Of Address
- SAVE – Systematic Alien Verification for Entitlements (SAVE) is a fast, secure, and reliable online service that allows federal, state, and local benefit-granting agencies to verify a benefit applicant’s immigration status or naturalized/derived citizenship.